

ROPE DESIGN OPTIONS

- DIEPA X60 Ordinary lay
- ▶ DIEPA X63 Ordinary lay with internal plastic component
- DIEPA X65 Lang Lay
- DIEPA X68 Lang Lay with internal plastic component

PROPERTIES

- Non-rotation resistant
- Compacted outer and inner strands
- Optimised for breaking force
- Use without rope swivel

TECHNICAL DATA

Load-bearing wires	152	Ø 10–14 mm	RCN.04
in outer strands/	208	Ø 15–43 mm	RCN.09
RCN acc. to ISO 4309	288	Ø 44–60 mm	RCN.13
Total number	201	Ø 10–14 mm	
of wires	329	Ø 15–43 mm	
	409	Ø 44–69 mm	
Fill factor	0.7100		
Spinning loss factor	0.8400	at 1770 N/mm ²	
	0.8400	at 1960 N/mm ²	
	0.8300	at 2160 N/mm ²	

Diameter mm	inch	Weight kg/100m	Min. breaking force 1770 N/mm ²			Min. breaking force 1960 N/mm ²			Min. breaking force 2160 N/mm ²		
			kN	metric tons	lbs	kN	metric tons	lbs	kN	metric tons	lbs
10		50	82.9	8.5	18 600	91.8	9.4	20 600	100	10.2	22 500
11		61	100	10.2	22 500	111	11.3	25 000	120	12.3	27 200
	7/16	62	102	10.4	23 000	113	11.6	25 500	123	12.6	27 700
12		72	119	12.2	26 800	132	13.5	29 700	143	14.7	32 400
	1/2	81	133	13.6	30 100	148	15.1	33 300	161	16.4	36 200
13		85	140	14.3	31 500	155	15.8	34 900	168	17.2	38 000
14		98	162	16.6	36 500	179	18.3	40 400	195	20.0	44 000
	5/8	102	169	17.3	38 000	187	19.1	42 100	204	20.8	45 900
15		113	186	19.0	41 900	206	21.1	46 400	224	22.9	50 500
	3/4	127	209	21.3	47 000	231	23.6	52 000	252	25.7	56 700
16		128	212	21.6	47 700	235	24.0	52 800	255	26.1	57 500
17		145	239	24.4	53 800	265	27.0	59 600	288	29.5	64 900
18		163	268	27.4	60 400	297	30.3	66 800	323	33.0	72 800
19		181	299	30.5	67 300	331	33.8	74 500	360	36.8	81 100
	3/4	182	300	30.7	67 600	333	34.0	74 900	362	37.0	81 500
20		201	331	33.8	74 500	367	37.4	82 500	399	40.8	89 900
21		221	365	37.3	82 200	404	41.3	91 000	440	44.9	99 100
22		243	401	40.9	90 200	444	45.3	99 900	483	49.3	108 700

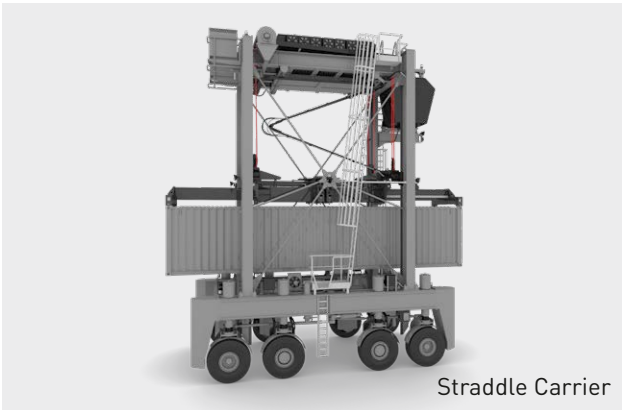


Diameter		Weight kg/100m	Min. breaking force 1770 N/mm ²			Min. breaking force 1960 N/mm ²			Min. breaking force 2160 N/mm ²		
mm	inch		kN	metric tons	lbs	kN	metric tons	lbs	kN	metric tons	lbs
	7/8	248	409	41.7	92 000	453	46.2	101 900	493	50.3	110 900
23		265	438	44.7	98 600	485	49.5	109 100	528	53.9	118 800
24		289	477	48.7	107 300	528	53.9	118 800	575	58.7	129 400
25		314	518	52.8	116 400	573	58.5	129 000	624	63.7	140 400
	1	324	534	54.5	120 200	592	60.4	133 100	644	65.7	144 900
26		339	560	57.1	126 000	620	63.3	139 500	675	68.9	151 900
27		366	604	61.6	135 800	669	68.2	150 400	728	74.3	163 800
28		393	650	66.3	146 100	719	73.4	161 800	783	79.9	176 100
	1 1/8	410	677	69.0	152 200	749	76.4	168 500	816	83.2	183 500
29		422	697	71.1	156 700	772	78.7	173 500	840	85.7	188 900
30		452	746	76.1	167 700	826	84.2	185 700	899	91.7	202 200
31		482	796	81.2	179 100	882	89.9	198 300	960	97.9	215 900
	1 1/4	506	835	85.2	187 800	925	94.3	208 000	1 007	102	226 500
32		514	848	86.5	190 800	940	95.8	211 300	1 023	104	230 100
33		546	902	92.0	202 900	999	101	224 700	1 088	110	244 700
34		580	958	97.7	215 400	1 061	108	238 500	1 155	117	259 700
	1 3/8	612	1 011	103	227 300	1 120	114	251 700	1 219	124	274 100
35		615	1 015	103	228 200	1 124	114	252 700	1 224	124	275 200
36		650	1 074	109	241 500	1 189	121	267 400	1 295	132	291 200
37		687	1 135	115	255 100	1 256	128	282 500	1 368	139	307 600
38		725	1 197	122	269 000	1 325	135	297 900	1 443	147	324 400
	1 1/2	728	1 203	122	270 500	1 332	135	299 500	1 451	147	326 100
39		763	1 261	128	283 400	1 396	142	313 800	1 520	155	341 700
40		803	1 326	135	298 100	1 468	149	330 100	1 599	163	359 500
41		844	1 393	142	313 200	1 543	157	346 800	1 680	171	377 700
	1 5/8	855	1 412	144	317 500	1 564	159	351 600	1 703	173	382 800
42		885	1 462	149	328 700	1 619	165	363 900	1 763	179	396 300
43		928	1 532	156	344 500	1 697	173	381 500	1 848	188	415 400
44		971	1 605	163	360 700	1 777	181	399 400	1 935	197	435 000
	1 3/4	991	1 638	166	368 100	1 813	184	407 600	1 975	201	443 900
45		1 016	1 678	171	377 300	1 859	189	417 800	2 024	206	454 900
46		1 062	1 754	178	394 300	1 942	198	436 600	2 115	215	475 400
47		1 108	1 831	186	411 600	2 028	206	455 800	2 208	225	496 300
	1 7/8	1 138	1 880	191	422 700	2 082	212	468 100	2 267	231	509 700
48		1 156	1 910	194	429 300	2 115	215	475 400	2 303	234	517 600
49		1 205	1 990	202	447 400	2 204	224	495 400	2 400	244	539 400
50		1 254	2 072	211	465 800	2 295	233	515 800	2 499	254	561 700
	2	1 295	2 139	218	480 800	2 369	241	532 400	2 579	262	579 800
51		1 305	2 156	219	484 600	2 387	243	536 600	2 600	265	584 400
52		1 357	2 241	228	503 800	2 482	253	557 900	2 703	275	607 500
53		1 410	2 328	237	523 400	2 578	262	579 600	2 808	286	631 100
	2 1/8	1 462	2 415	246	542 900	2 675	272	601 200	2 913	296	654 600
54		1 463	2 417	246	543 300	2 677	272	601 600	2 915	297	655 100
55		1 518	2 507	255	563 600	2 777	283	624 100	3 024	308	679 600
56		1 574	2 600	265	584 300	2 879	293	647 000	3 135	319	704 600
57		1 630	2 693	274	605 400	2 982	304	670 300	3 248	331	729 900
	2 1/4	1 639	2 707	276	608 500	2 998	305	673 900	3 265	332	733 800
58		1 688	2 789	284	626 800	3 088	314	694 100	3 363	342	755 800
59		1 747	2 886	294	648 600	3 195	325	718 200	3 480	354	782 100
60		1 806	2 984	304	670 800	3 305	336	742 800	3 599	366	808 800

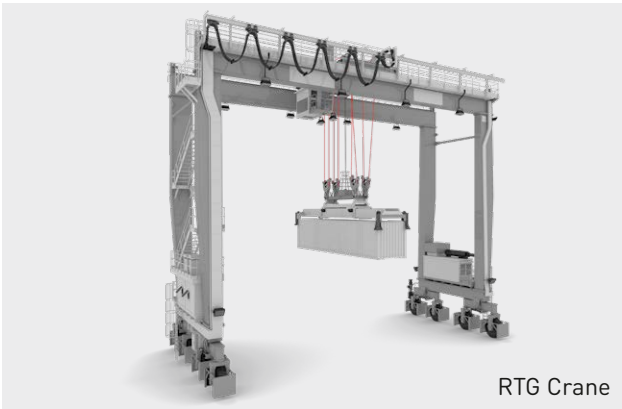
PORTS



STS Crane



Straddle Carrier

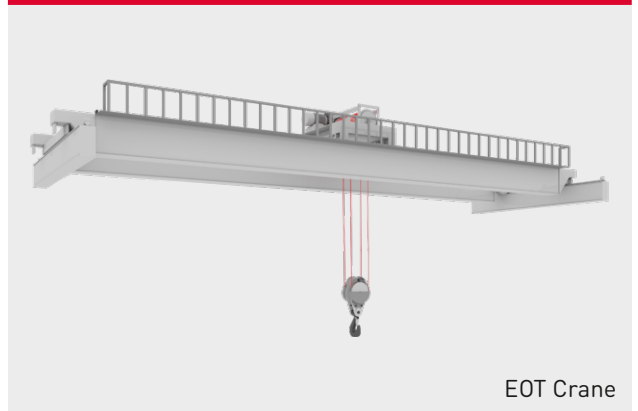


RTG Crane

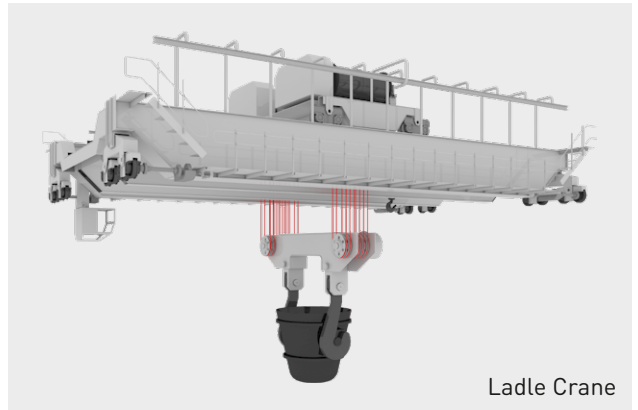


Port Crane

INDUSTRIAL



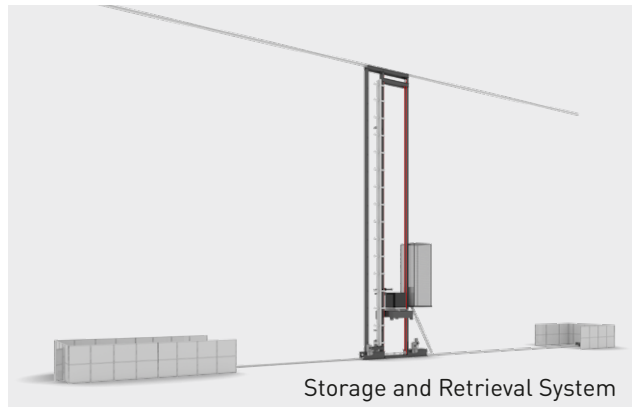
EOT Crane



Ladle Crane

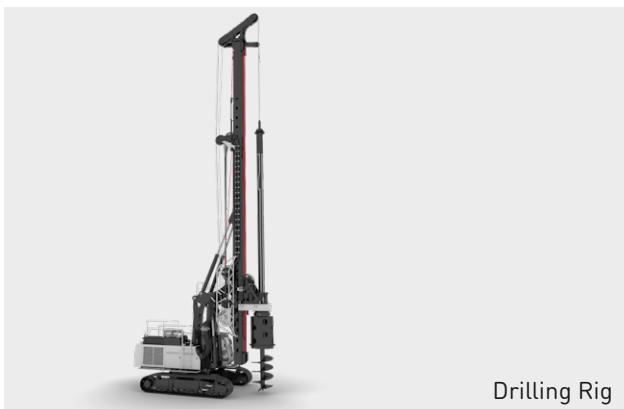
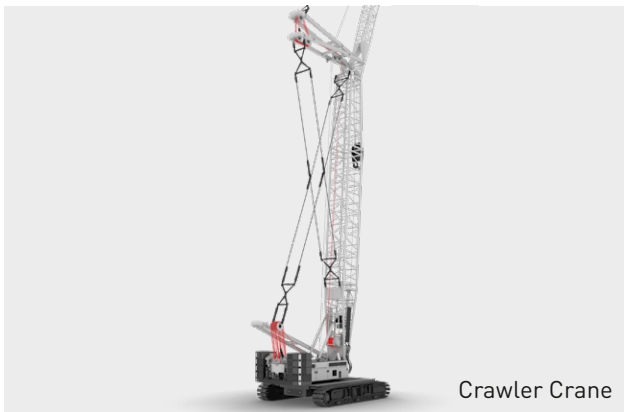
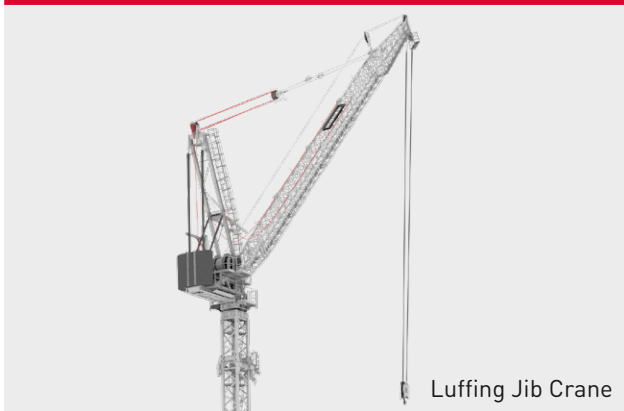


Gantry Crane



Storage and Retrieval System

CONSTRUCTION



OFFSHORE

