

**ROPE DESIGN OPTIONS**

- ▶ **DIEPA H 50** Ordinary lay
- DIEPA H 53** Ordinary lay with internal plastic component

**PROPERTIES**

- Non-rotation resistant
- Compacted outer and inner strands
- Compacted rope
- Extremely high breaking force
- Use without rope swivel

**TECHNICAL DATA**

Load-bearing wires	208	Ø 12 – 44 mm	RCN.09
in outer strands/	288	Ø 45 – 52 mm	RCN.13
RCN acc. to ISO 4309			
Total number	347	Ø 12 – 44 mm	
of wires	427	Ø 45 – 52 mm	
Fill factor	0.7660		
Spinning loss factor	0.8550	at 1770 N/mm <sup>2</sup>	
	0.8550	at 1960 N/mm <sup>2</sup>	
	0.8400	at 2160 N/mm <sup>2</sup>	

Diameter mm	inch	Weight kg/100m	Min. breaking force 1770 N/mm <sup>2</sup>			Min. breaking force 1960 N/mm <sup>2</sup>			Min. breaking force 2160 N/mm <sup>2</sup>		
			kN	metric tons	lbs	kN	metric tons	lbs	kN	metric tons	lbs
12		78	131	13.4	29 200	145	14.8	32 500	157	16.0	35 200
	1/2	87	147	15.0	32 800	163	16.6	36 500	176	17.9	39 500
13		92	154	15.7	34 300	170	17.3	38 200	185	18.9	41 300
14		106	179	18.2	39 900	198	20.2	44 300	214	21.8	47 900
	5/16	111	186	19.0	41 600	206	21.0	46 200	223	22.7	50 000
15		122	205	20.9	45 800	227	23.1	50 900	245	25.0	55 000
	5/8	136	229	23.3	51 400	254	25.9	57 100	275	28.0	61 700
16		139	233	23.8	52 100	258	26.3	57 900	280	28.5	62 600
17		156	263	26.8	58 800	292	29.8	65 400	316	32.2	70 700
18		175	295	30.1	66 000	327	33.3	73 400	354	36.1	79 200
19		195	328	33.4	73 500	364	37.1	81 700	394	40.2	88 400
	3/4	196	330	33.6	74 000	366	37.3	82 200	396	40.4	88 900
20		217	364	37.1	81 500	404	41.2	90 600	437	44.5	97 800
21		239	402	41.0	89 900	445	45.4	99 900	481	49.0	108 000
22		262	440	44.9	98 700	488	49.7	109 600	528	53.8	118 600
	7/8	267	450	45.9	100 800	498	50.8	112 000	539	54.9	121 000
23		286	481	49.0	107 800	534	54.4	119 900	577	58.8	129 600
24		312	524	53.4	117 500	581	59.2	130 600	629	64.1	141 000

# DIEPA H5 SERIES

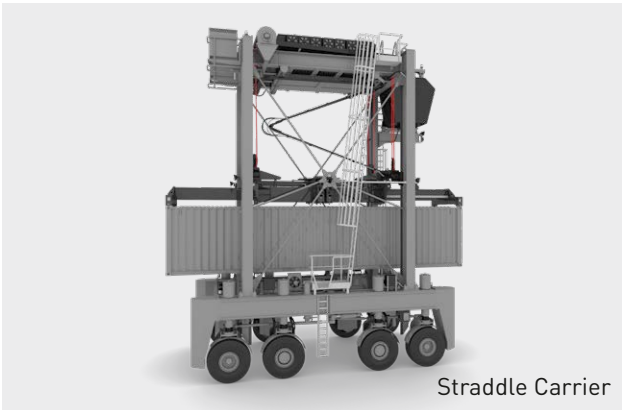
Diameter		Weight kg/100m	Min. breaking force 1770 N/mm <sup>2</sup>			Min. breaking force 1960 N/mm <sup>2</sup>			Min. breaking force 2160 N/mm <sup>2</sup>		
mm	inch		kN	metric tons	lbs	kN	metric tons	lbs	kN	metric tons	lbs
25		338	569	58.0	127 400	630	64.2	141 600	682	69.5	153 100
	1	349	587	59.8	131 600	650	66.3	146 200	704	71.8	158 100
26		366	616	62.8	137 800	681	69.4	153 200	738	75.2	165 500
27		395	663	67.6	148 700	735	74.9	165 200	795	81.0	178 500
28		425	714	72.8	159 900	790	80.5	177 600	856	87.3	192 100
	1 1/8	442	743	75.7	166 600	823	83.9	185 100	891	90.8	200 100
29		455	766	78.1	171 500	848	86.4	190 500	918	93.6	206 000
30		487	819	83.5	183 600	907	92.5	204 000	983	100	220 400
31		520	875	89.2	196 000	969	98.8	217 800	1 049	106	235 400
	1 1/4	546	918	93.6	205 700	1 016	103	228 600	1 100	112	247 000
32		554	932	95.0	208 800	1 032	105	232 100	1 118	113	250 800
33		590	992	101	222 200	1 098	111	246 900	1 189	121	266 700
34		626	1 053	107	235 800	1 165	118	262 000	1 262	128	283 200
	1 3/8	660	1 111	113	248 900	1 230	125	276 600	1 331	135	298 900
35		663	1 115	113	250 000	1 235	125	277 600	1 337	136	300 100
36		702	1 180	120	264 400	1 306	133	293 700	1 415	144	317 500
37		741	1 247	127	279 400	1 380	140	310 400	1 494	152	335 400
38		782	1 315	134	294 600	1 456	148	327 300	1 576	160	353 800
	1 1/2	786	1 322	134	296 200	1 463	149	329 200	1 585	161	355 700
39		824	1 385	141	310 400	1 534	156	344 900	1 661	169	372 600
40		866	1 457	148	326 500	1 613	164	362 700	1 746	177	392 000
41		910	1 530	155	343 000	1 695	172	381 100	1 835	187	411 900
	1 5/8	922	1 551	158	347 700	1 718	175	386 300	1 860	189	417 500
42		955	1 606	163	360 000	1 778	181	400 000	1 925	196	432 200
43		1 001	1 683	171	377 300	1 864	190	419 200	2 019	205	453 000
44		1 048	1 763	179	395 100	1 952	198	438 900	2 113	215	474 400
	1 3/4	1 070	1 799	183	403 200	1 992	203	448 000	2 157	219	484 200
45		1 096	1 843	187	413 200	2 042	208	459 200	2 210	225	496 200
46		1 146	1 926	196	431 700	2 133	217	479 800	2 310	235	518 500
47		1 196	2 011	204	450 800	2 227	227	500 800	On request		
	1 7/8	1 228	2 065	210	462 900	2 287	233	514 300			
48		1 248	2 097	213	470 200	2 323	236	522 400			
49		1 300	2 186	222	490 000	2 421	246	544 400			
50		1 354	2 276	232	510 100	2 521	256	566 900			
	2	1 397	2 350	239	526 700	2 602	265	585 200			
51		1 408	2 368	241	530 800	2 622	267	589 800			
52		1 464	2 462	250	551 800	2 726	277	613 200			

**APPLICATIONS**  
NON-ROTATION RESISTANT ROPES

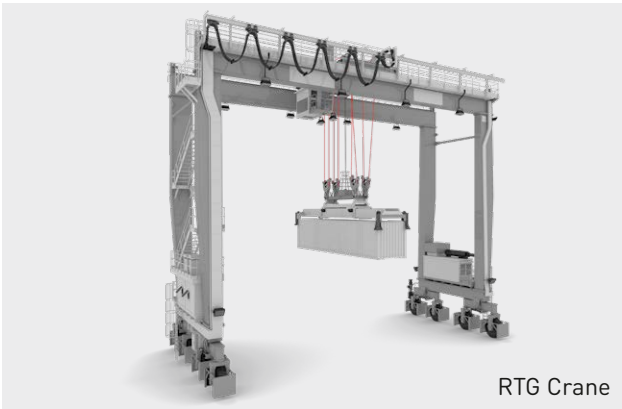
**PORTS**



STS Crane



Straddle Carrier

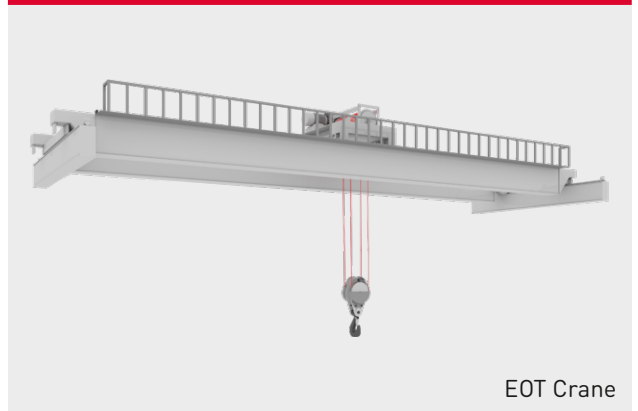


RTG Crane

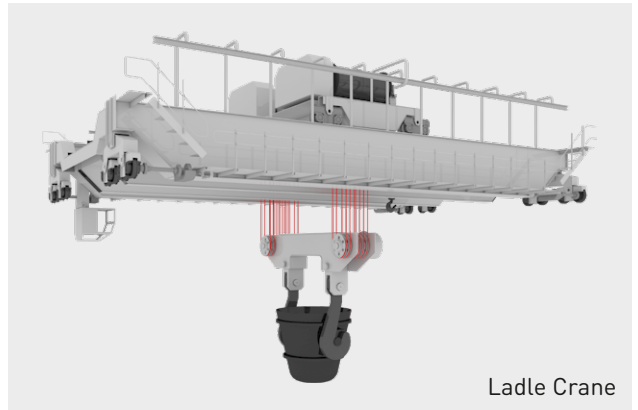


Port Crane

**INDUSTRIAL**



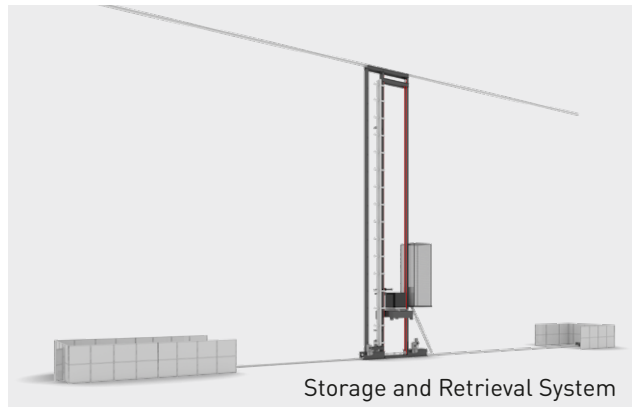
EOT Crane



Ladle Crane

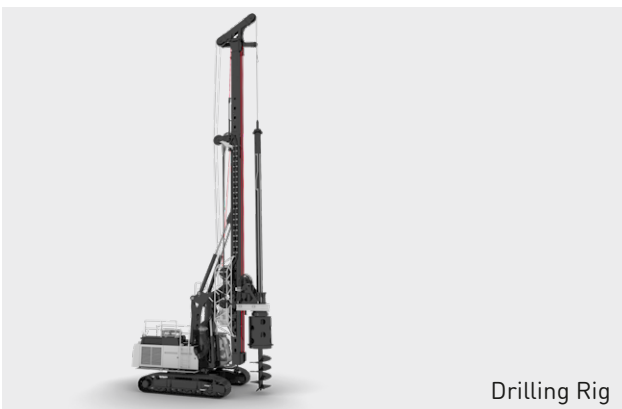
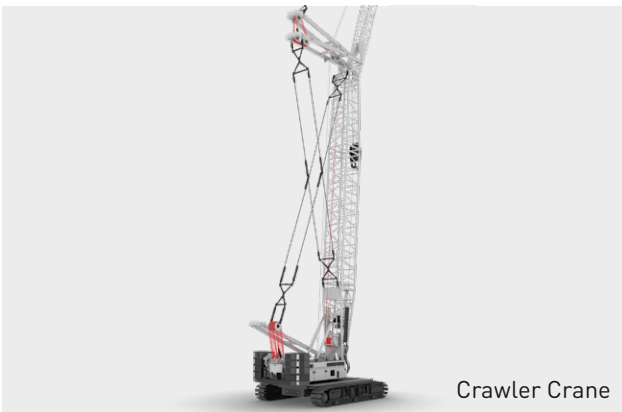
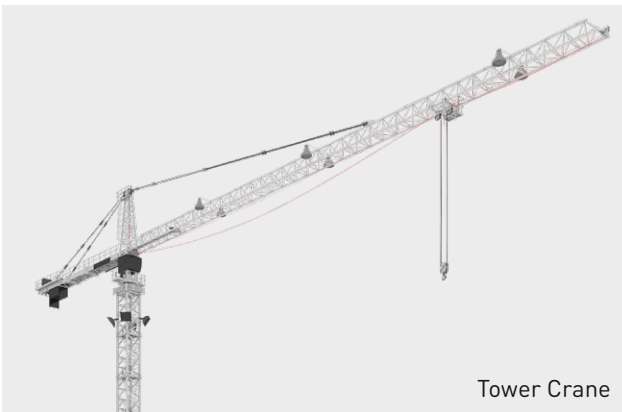
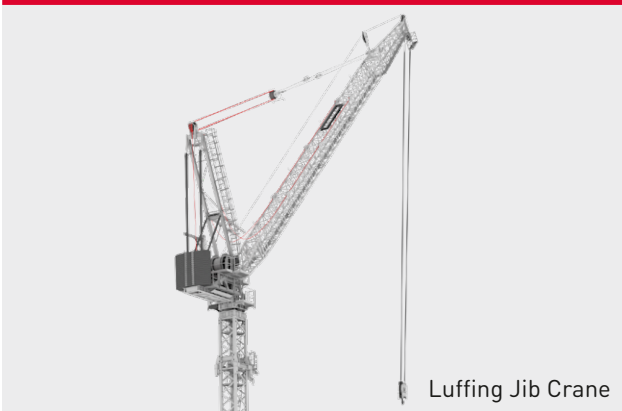


Gantry Crane



Storage and Retrieval System

CONSTRUCTION



OFFSHORE

