

**ROPE DESIGN OPTIONS**

- DIEPA **C50** Ordinary lay
- ▶ DIEPA **C55** Lang lay

**PROPERTIES**

- Rotation resistant
- Compacted outer strands
- Compacted rope core

**TECHNICAL DATA**

Load-bearing wires in outer strands/ RCN acc. to ISO 4309	105 Ø 6–40 mm	RCN.23-2
Total number of wires	154 Ø 6–7 mm 186 Ø 8–40 mm	
Fill factor	0.6775	
Spinning loss factor	0.8300 at 1770 N/mm <sup>2</sup> 0.8300 at 1960 N/mm <sup>2</sup> 0.8100 at 2160 N/mm <sup>2</sup>	

Diameter mm    inch	Weight kg/100m	Min. breaking force 1770 N/mm <sup>2</sup>			Min. breaking force 1960 N/mm <sup>2</sup>			Min. breaking force 2160 N/mm <sup>2</sup>		
		kN	metric tons	lbs	kN	metric tons	lbs	kN	metric tons	lbs
6	17	31.2	3.2	7 000	34.3	3.5	7 700	36.5	3.7	8 200
6.5	19	34.9	3.6	7 800	38.5	3.9	8 600	40.8	4.2	9 200
7	20	36.6	3.7	8 200	40.3	4.1	9 100	42.8	4.4	9 600
7.5	24	42.4	4.3	9 500	46.7	4.8	10 500	49.6	5.1	11 200
8	27	48.7	5.0	10 900	53.7	5.5	12 100	57.0	5.8	12 800
8.5	30	54.6	5.6	12 300	60.1	6.1	13 500	63.9	6.5	14 300
9	31	55.4	5.6	12 500	61.1	6.2	13 700	64.8	6.6	14 600
9.5	35	62.5	6.4	14 100	68.9	7.0	15 500	73.2	7.5	16 400
10	39	70.1	7.1	15 800	77.3	7.9	17 400	82.0	8.4	18 400
11	43	78.1	8.0	17 600	86.1	8.8	19 300	91.4	9.3	20 500
12	44	78.5	8.0	17 600	86.5	8.8	19 400	91.8	9.4	20 600
13	48	86.6	8.8	19 500	95.4	9.7	21 400	101	10.3	22 800
14	58	104	10.7	23 500	115	11.8	25 900	122	12.5	27 500
15	59	106	10.9	24 000	117	12.0	26 500	125	12.7	28 100
16	69	124	12.7	28 000	137	14.0	30 900	145	14.9	32 800
17	78	139	14.2	31 400	153	15.7	34 600	163	16.7	36 700
18	81	146	14.9	32 900	161	16.4	36 200	171	17.4	38 500
19	94	169	17.3	38 100	186	19.1	42 000	198	20.2	44 600

Diameter mm	inch	Weight kg/100m	Min. breaking force 1770 N/mm <sup>2</sup>			Min. breaking force 1960 N/mm <sup>2</sup>			Min. breaking force 2160 N/mm <sup>2</sup>		
			kN	metric tons	lbs	kN	metric tons	lbs	kN	metric tons	lbs
	5/16	98	176	18.0	39 700	194	19.9	43 800	206	21.1	46 500
15		108	194	19.9	43 800	214	21.9	48 200	227	23.2	51 200
	3/8	122	218	22.3	49 100	240	24.5	54 100	255	26.0	57 400
16		123	221	22.6	49 800	244	24.9	54 900	259	26.4	58 300
17		139	250	25.5	56 200	275	28.1	62 000	292	29.8	65 800
18		156	280	28.6	63 000	309	31.5	69 500	328	33.5	73 700
19		174	312	31.9	70 200	344	35.1	77 400	365	37.3	82 200
	3/4	175	314	32.0	70 600	346	35.3	77 800	367	37.5	82 600
20		193	346	35.3	77 800	381	38.9	85 800	405	41.3	91 000
21		213	381	38.9	85 800	420	42.9	94 500	446	45.5	100 400
22		233	418	42.7	94 200	461	47.1	103 800	490	50.0	110 200
	7/8	238	427	43.6	96 000	470	48.0	105 800	500	51.0	112 400
23		255	457	46.7	102 900	504	51.4	113 400	535	54.6	120 400
24		278	498	50.8	112 100	549	56.0	123 500	583	59.5	131 100
25		301	541	55.1	121 600	596	60.8	134 000	633	64.5	142 300
	1	311	558	56.9	125 500	615	62.7	138 300	653	66.6	146 900
26		326	585	59.7	131 500	644	65.7	144 900	684	69.8	153 900
27		351	631	64.3	141 800	695	70.9	156 300	738	75.3	165 900
28		378	678	69.2	152 500	747	76.2	168 100	794	80.9	178 500
	1 1/8	394	707	72.1	158 900	779	79.4	175 100	827	84.3	185 900
29		405	727	74.2	163 600	802	81.8	180 300	851	86.8	191 400
30		434	779	79.4	175 100	858	87.5	192 900	911	92.9	204 900
31		463	831	84.8	186 900	916	93.5	206 000	973	99.2	218 700
	1 1/4	486	872	89.0	196 100	961	98.0	216 100	1 021	104	229 500
32		493	886	90.4	199 200	976	99.6	219 500	1 037	105	233 100
33		525	942	96.1	211 800	1 038	105	233 500	1 103	112	247 900
34		557	1 000	102	224 900	1 102	112	247 800	1 170	119	263 100
	1 3/8	588	1 056	107	237 300	1 163	118	261 600	1 235	125	277 700
35		590	1 060	108	238 300	1 168	119	262 600	1 240	126	278 800
36		625	1 121	114	252 100	1 236	126	277 800	1 312	133	295 000
37		660	1 185	120	266 300	1 305	133	293 500	1 386	141	311 600
38		696	1 249	127	280 900	1 377	140	309 600	1 462	149	328 700
	1 1/2	700	1 256	128	282 400	1 384	141	311 200	1 470	149	330 400
39		733	1 316	134	295 900	1 450	147	326 100	1 540	157	346 200
40		771	1 385	141	311 300	1 526	155	343 000	1 620	165	364 200

**MOBILE LIFTING**



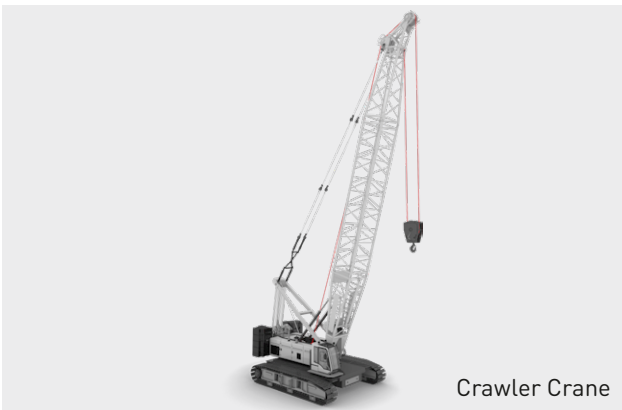
All Terrain Crane



Rough Terrain Crane



Truck Crane



Crawler Crane

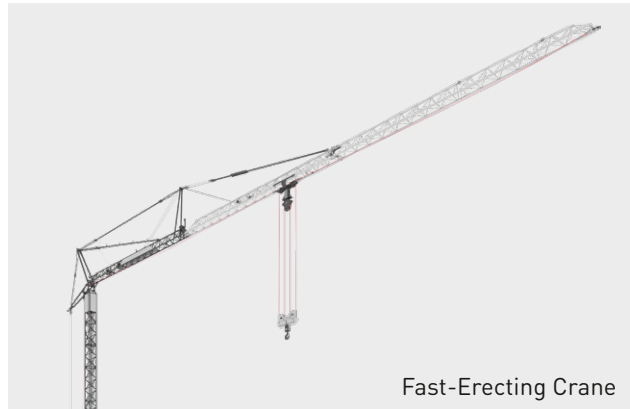
**SURFACE CONSTRUCTION**



Luffing Jib Crane



Tower Crane

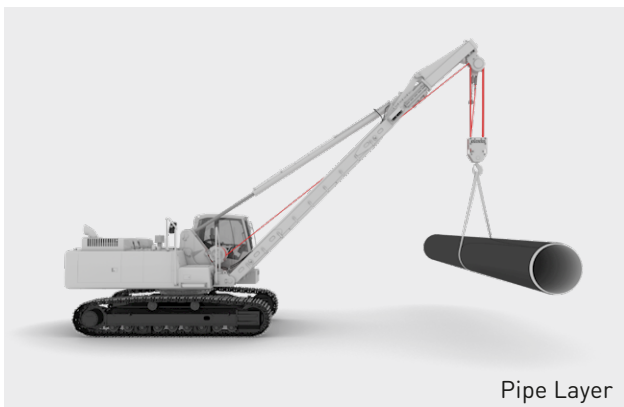


Fast-Erecting Crane



Mobile Construction Crane

## UNDERGROUND CONSTRUCTION



## MARINE + OFFSHORE

