

ROPE DESIGN OPTIONS

- DIEPA **C40** Ordinary lay
- ▶ DIEPA **C45** Lang lay

PROPERTIES

- Rotation resistant
- Compacted outer strands

TECHNICAL DATA

Load-bearing wires in outer strands/ RCN acc. to ISO 4309	105 Ø 6–40 mm	RCN.23-2
Total number of wires	154 Ø 6–7 mm 186 Ø 8–40 mm	
Fill factor	0.6441	
Spinning loss factor	0.8300 at 1770 N/mm ² 0.8300 at 1960 N/mm ² 0.8100 at 2160 N/mm ²	

Diameter mm inch	Weight kg/100m	Min. breaking force 1770 N/mm ²			Min. breaking force 1960 N/mm ²			Min. breaking force 2160 N/mm ²		
		kN	metric tons	lbs	kN	metric tons	lbs	kN	metric tons	lbs
6	17	26.8	2.7	5 800	29.6	3.0	6 500	31.9	3.3	7 000
6.5	19	30.0	3.1	6 700	33.2	3.4	7 400	35.7	3.6	7 900
7	20	31.4	3.2	6 900	34.8	3.5	7 700	37.4	3.8	8 300
7.5	23	36.4	3.7	8 100	40.3	4.1	9 000	43.4	4.4	9 700
8	26	41.8	4.3	9 200	46.3	4.7	10 200	49.8	5.1	11 100
8.5	29	46.8	4.8	10 400	51.8	5.3	11 600	55.8	5.7	12 500
9	30	47.6	4.9	10 500	52.7	5.4	11 700	56.6	5.8	12 600
9.5	34	53.7	5.5	11 900	59.5	6.1	13 300	63.9	6.5	14 200
10	38	60.2	6.1	13 400	66.7	6.8	14 900	71.7	7.3	15 900
11	42	67.1	6.8	14 900	74.3	7.6	16 600	79.9	8.1	17 800
12	42	67.4	6.9	15 100	74.7	7.6	16 700	80.3	8.2	18 000
13	47	74.3	7.6	16 600	82.3	8.4	18 400	88.3	9.0	19 700
14	56	89.9	9.2	20 000	99.6	10.2	22 300	107	10.9	23 900
15	57	91.8	9.4	20 500	102	10.4	22 800	109	11.1	24 500
16	67	107	10.9	23 900	119	12.1	26 500	127	12.9	28 500
17	75	120	12.2	26 800	133	13.6	29 800	143	14.6	32 000
18	79	126	12.8	28 100	139	14.2	31 100	150	15.3	33 500
19	91	146	14.9	32 600	161	16.4	36 200	173	17.6	38 900

Diameter mm	inch	Weight kg/100m	Min. breaking force 1770 N/mm ²			Min. breaking force 1960 N/mm ²			Min. breaking force 2160 N/mm ²		
			kN	metric tons	lbs	kN	metric tons	lbs	kN	metric tons	lbs
	1/16	95	152	15.5	33 900	168	17.1	37 700	181	18.5	40 500
15		105	167	17.0	37 400	185	18.9	41 500	199	20.3	44 600
	5/8	117	187	19.1	41 900	207	21.1	46 600	223	22.7	50 000
16		119	190	19.4	42 500	211	21.5	47 200	227	23.1	50 700
17		135	215	21.9	48 000	238	24.3	53 400	256	26.1	57 300
18		151	241	24.6	53 900	267	27.2	59 900	287	29.3	64 300
19		168	268	27.3	60 000	297	30.3	66 700	319	32.5	71 600
	3/4	169	270	27.5	60 400	299	30.5	67 100	321	32.7	72 000
20		186	297	30.3	66 500	329	33.5	73 900	354	36.1	79 300
21		205	328	33.4	73 400	363	37.0	81 500	390	39.8	87 500
22		225	360	36.7	80 500	398	40.6	89 500	428	43.6	96 100
	7/8	230	367	37.4	82 200	407	41.5	91 400	437	44.5	98 100
23		246	393	40.1	88 000	435	44.3	97 800	468	47.7	105 000
24		268	428	43.6	95 900	474	48.3	106 500	509	51.9	114 400
25		291	464	47.3	104 000	514	52.4	115 600	553	56.4	124 100
	1	300	479	48.8	107 400	531	54.1	119 400	571	58.2	128 100
26		315	502	51.2	112 500	556	56.7	125 100	599	61.1	134 200
27		339	542	55.2	121 300	600	61.2	134 900	646	65.9	144 700
28		365	583	59.4	130 600	645	65.7	145 000	694	70.7	155 700
	1 1/8	380	607	61.9	136 000	672	68.5	151 100	723	73.7	162 200
29		391	625	63.7	140 100	692	70.5	155 600	744	75.8	166 900
30		419	669	68.2	149 900	741	75.5	166 500	796	81.1	178 700
31		447	714	72.8	160 000	791	80.6	177 900	851	86.7	190 900
	1 1/4	469	749	76.4	167 900	830	84.6	186 600	892	90.9	200 300
32		477	761	77.6	170 500	843	85.9	189 400	906	92.4	203 300
33		507	809	82.5	181 400	896	91.3	201 500	964	98.3	216 200
34		538	859	87.6	192 500	951	96.9	213 900	1 023	104	229 700
	1 3/8	568	907	92.5	203 100	1 004	102	225 700	1 080	110	242 300
35		570	910	92.8	204 000	1 008	102	226 700	1 085	110	243 300
36		603	963	98.2	215 800	1 067	108	239 800	1 147	116	257 400
37		637	1 018	103	228 000	1 126	114	253 400	1 212	123	272 000
38		672	1 073	109	240 500	1 189	121	267 100	1 278	130	286 900
	1 1/2	676	1 079	109	241 800	1 195	121	268 700	1 285	130	288 400
39		708	1 130	115	253 300	1 252	127	281 400	1 346	137	302 100
40		745	1 189	121	266 400	1 316	134	296 000	1 416	144	317 900

MOBILE LIFTING



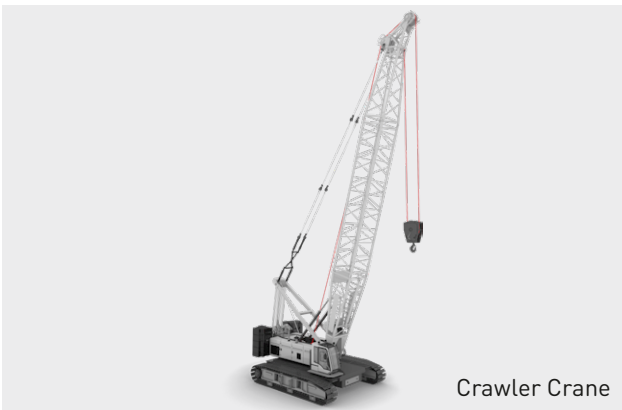
All Terrain Crane



Rough Terrain Crane



Truck Crane



Crawler Crane

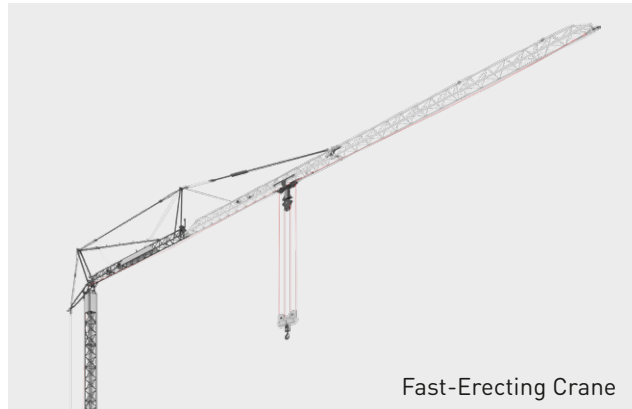
SURFACE CONSTRUCTION



Luffing Jib Crane



Tower Crane

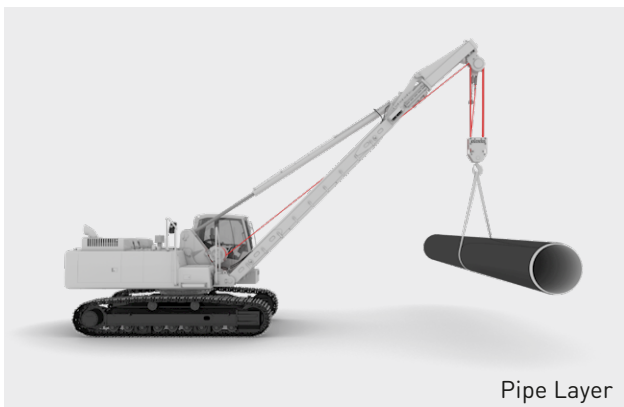


Fast-Erecting Crane



Mobile Construction Crane

UNDERGROUND CONSTRUCTION



MARINE + OFFSHORE

