

ROPE DESIGN OPTIONS

- DIEPA **B70** Ordinary lay
- DIEPA **B73** Ordinary lay with internal plastic component
- ▶ DIEPA **B75** Lang lay
- DIEPA **B78** Lang lay with internal plastic component

PROPERTIES

- Rotation resistant
- Compacted outer strands
- Extremely high breaking force

TECHNICAL DATA

Load-bearing wires in outer strands/ RCN acc. to ISO 4309	105 Ø 12–44 mm	RCN.23-2
Total number of wires	328 Ø 12–44 mm	
Fill factor	0.7550	
Spinning loss factor	0.8450	

Diameter mm inch	Weight kg/100m	Min. breaking force 1770 N/mm ²			Min. breaking force 1960 N/mm ²			Min. breaking force 2160 N/mm ²		
		kN	metric tons	lbs	kN	metric tons	lbs	kN	metric tons	lbs
12	74	129	13.1	29 100	144	14.7	32 200	156	15.9	34 700
13	82	146	14.9	32 800	162	16.5	36 400	175	17.8	39 100
14	87	155	15.8	34 500	170	17.3	38 300	184	18.8	41 100
15	100	178	18.1	39 700	198	20.2	44 200	213	21.7	47 500
16	104	185	18.9	41 500	205	20.9	46 100	220	22.4	49 500
17	115	204	20.8	45 500	226	23.0	50 700	244	24.9	54 400
18	128	228	23.2	51 200	254	25.9	56 900	272	27.7	61 100
19	133	235	24.0	52 400	261	26.6	58 400	280	28.5	62 800
20	148	263	26.8	58 900	292	29.8	65 500	315	32.1	70 400
21	167	296	30.2	66 300	329	33.5	73 800	355	36.2	79 200
22	185	328	33.4	73 600	365	37.2	81 700	392	40.0	87 900
23	185	329	33.5	73 800	365	37.2	82 000	392	40.0	88 100
24	206	365	37.2	82 000	406	41.4	91 000	438	44.6	97 700
25	229	406	41.4	90 900	450	45.9	101 100	485	49.4	108 600
26	250	444	45.3	99 600	494	50.4	110 700	531	54.1	119 000
27	252	449	45.8	100 400	497	50.7	111 600	534	54.4	119 900
28	274	484	49.3	108 500	539	54.9	120 700	579	59.0	129 600
29	297	526	53.6	118 000	585	59.6	131 100	629	64.1	140 900

Diameter		Weight kg/100m	Min. breaking force 1770 N/mm ²			Min. breaking force 1960 N/mm ²			Min. breaking force 2160 N/mm ²		
mm	inch		kN	metric tons	lbs	kN	metric tons	lbs	kN	metric tons	lbs
25		317	560	57.1	125 700	623	63.5	139 600	670	68.3	150 200
	1	329	586	59.7	131 200	649	66.2	145 800	697	71.0	156 600
26		342	607	61.9	136 100	673	68.6	151 200	725	73.9	162 300
27		368	652	66.5	146 300	725	73.9	162 500	778	79.3	174 700
28		403	713	72.7	160 200	793	80.8	178 100	853	87.0	191 200
	1 1/8	417	741	75.5	166 100	821	83.7	184 600	884	90.1	198 200
29		427	756	77.1	169 900	842	85.8	188 900	905	92.3	202 700
30		457	810	82.6	181 800	901	91.8	202 100	967	98.6	216 900
31		485	861	87.8	193 200	956	97.5	214 700	1 028	104	230 600
	1 1/4	514	915	93.3	205 000	1 013	103	227 900	1 090	111	244 700
32		521	923	94.1	207 200	1 026	104	230 300	1 102	112	247 300
33		552	979	99.8	220 000	1 089	111	244 400	1 171	119	262 500
34		588	1 041	106	233 900	1 157	117	259 900	1 245	126	279 300
	1 3/8	623	1 108	112	248 100	1 227	125	275 700	1 318	134	296 100
35		626	1 109	113	249 000	1 232	125	276 700	1 323	134	297 200
36		662	1 173	119	263 500	1 304	132	292 800	1 401	142	314 500
37		700	1 239	126	278 300	1 377	140	309 300	1 479	150	332 300
38		737	1 308	133	293 600	1 453	148	326 200	1 560	159	350 400
	1 1/2	742	1 318	134	295 300	1 459	148	328 100	1 571	160	352 400
39		777	1 377	140	309 500	1 531	156	344 100	1 624	165	365 000
40		818	1 449	147	325 700	1 610	164	361 900	1 709	174	384 200
41		859	1 521	155	311 900	1 692	172	380 370	1 796	183	403 700
	1 5/8	871	1 542	157	346 600	1 714	174	385 300	1 820	185	409 100
42		902	1 597	162	359 000	1 775	180	399 000	1 884	192	423 500
43		945	1 674	170	376 300	1 861	189	418 300	1 975	201	443 900
44		990	1 753	178	349 000	1 947	198	437 700	2 069	210	465 100

MOBILE LIFTING



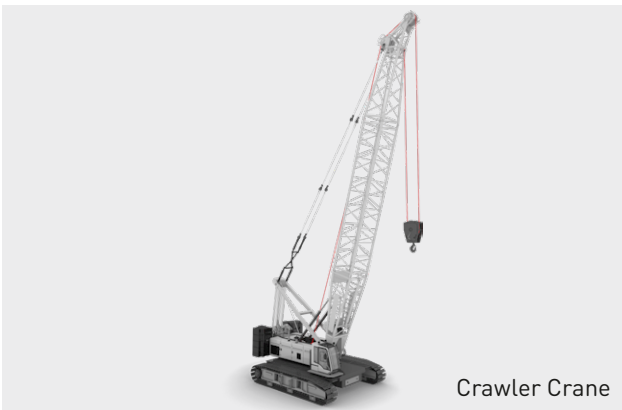
All Terrain Crane



Rough Terrain Crane



Truck Crane



Crawler Crane

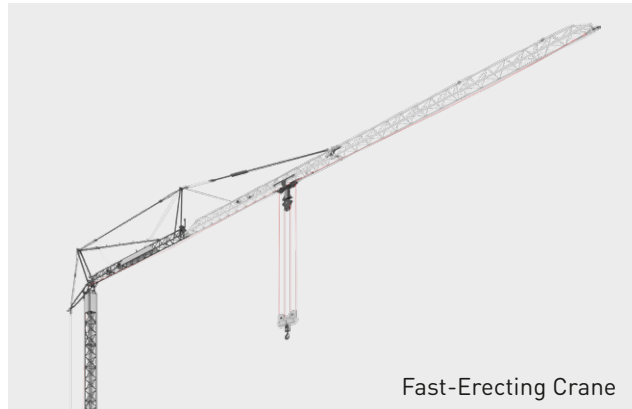
SURFACE CONSTRUCTION



Luffing Jib Crane



Tower Crane

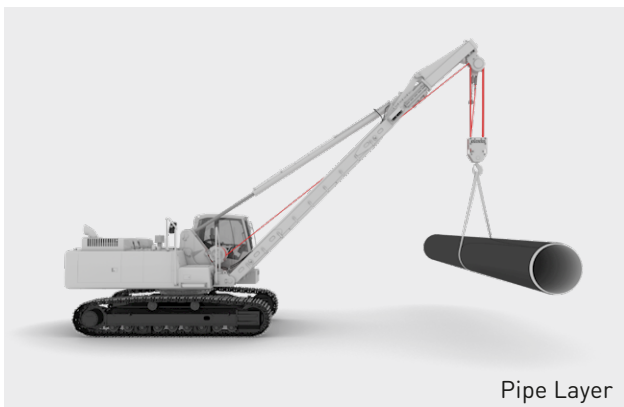


Fast-Erecting Crane



Mobile Construction Crane

UNDERGROUND CONSTRUCTION



MARINE + OFFSHORE

